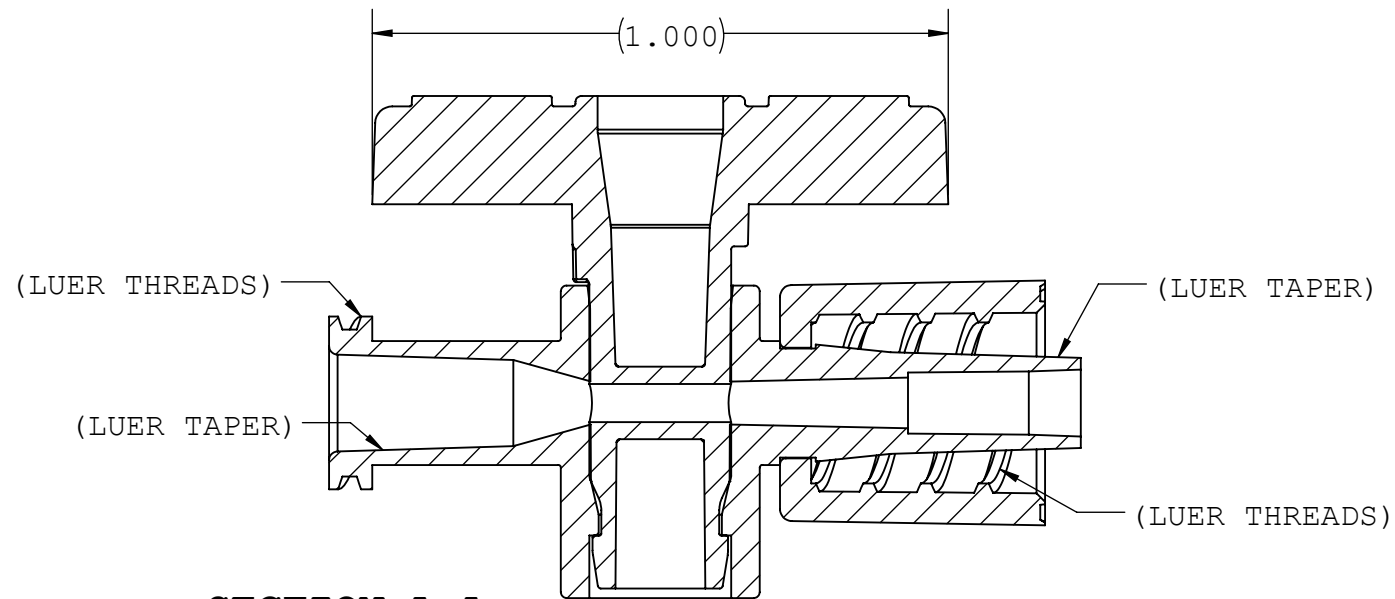
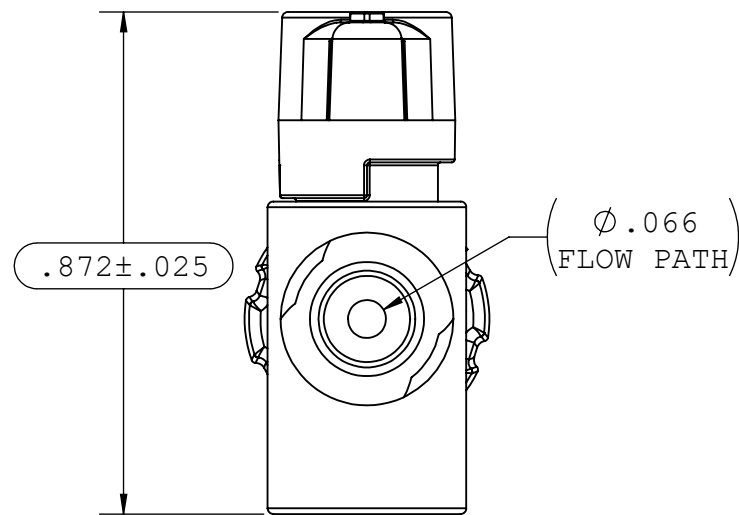
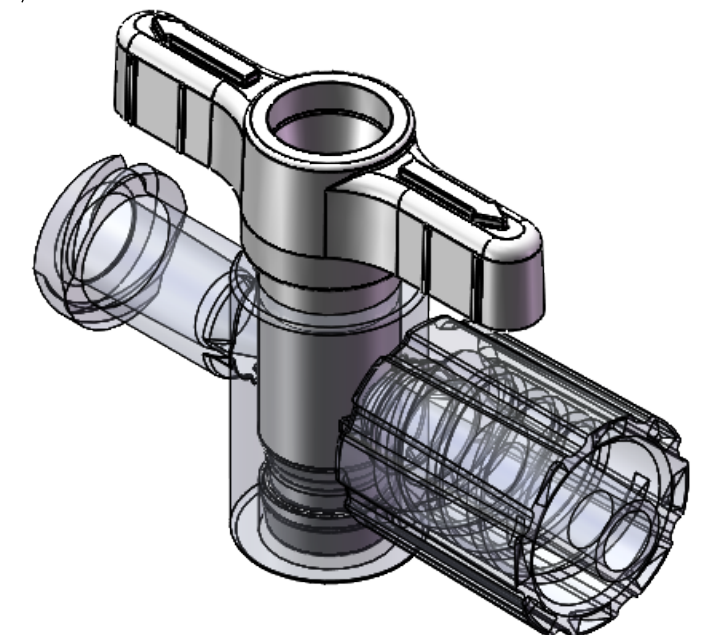
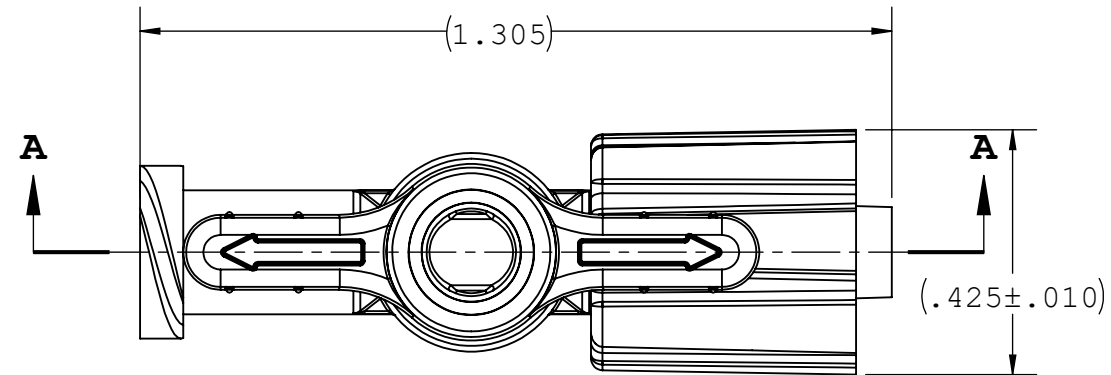


NOTES: FOR ADDITIONAL DETAILS, PLEASE CONTACT VP CUSTOMER SERVICE
 DIMENSIONS MARKED \square ARE CONTROL DIMENSIONS
 PARTS ARE ASSEMBLED IN THE ORIENTATION SHOWN ON THE DRAWING
 ANGLE ALLOWANCE OF DIVERTER ± 10 DEGREES

REVISIONS			
REV.	DESCRIPTION	DATE	APPROVED
A	INITIAL RELEASE	11/24/14	K.R.S.
B	ECO 311	03/15/16	K.R.S.
C	ECO 1296242	03-01-22	FJL



SECTION A-A

UNLESS OTHERWISE SPECIFIED DIMENSIONS ARE IN INCHES TOLERANCES ARE:		VALUE PLASTICS, INC			
FRACTIONS DECIMAL ANGULAR \pm .XX \pm .01 $\pm 1^\circ$.XXX \pm .005 .XXXX \pm .001		PART NUMBER: FCFMR-001			
DO NOT SCALE DRAWING		DESCRIPTION: STOPCOCK, 1-WAY, FL TO ML, LUER LOCK NUT			
DRAWN BY: marie.morleyjahn	DATE: 3/7/2022	SIZE: B	SCALE: NTS	VER: 	DWG. NO. REV 1032424 C
MANAGER: kyles		© 2014 VALUE PLASTICS, INC			SHEET: 1 OF 1

FOR REFERENCE ONLY